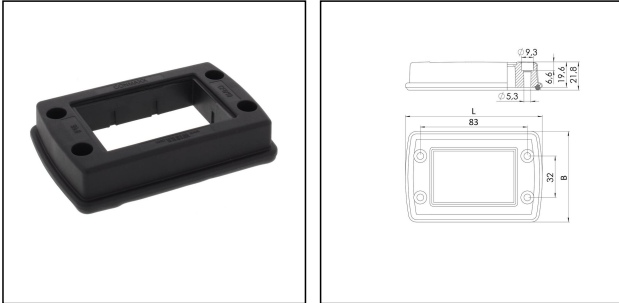


CF 6-10 V0 BK

Frame, plastic, black, 70x106mm



Products may differ in size, colour and appearance to those shown. If you require further information or customisation, please contact us directly.

CONMAXX

Material	Polyamide UL94-V0
Material sealing gasket	PU
Temp. range min	-40 °C
Temp. range max	120 °C
Protection class	IP66
Product Color	RAL 9005
BxL	70x106mm
Type	CF 6-10 V0 BK
Order no. RAL 9005	10108181
Packing unit	1
ETIM-Classification	EC000441

Recommended accessories

CGT V0 BK	10108189
CGH V0 BK	10108191

20.11.2019

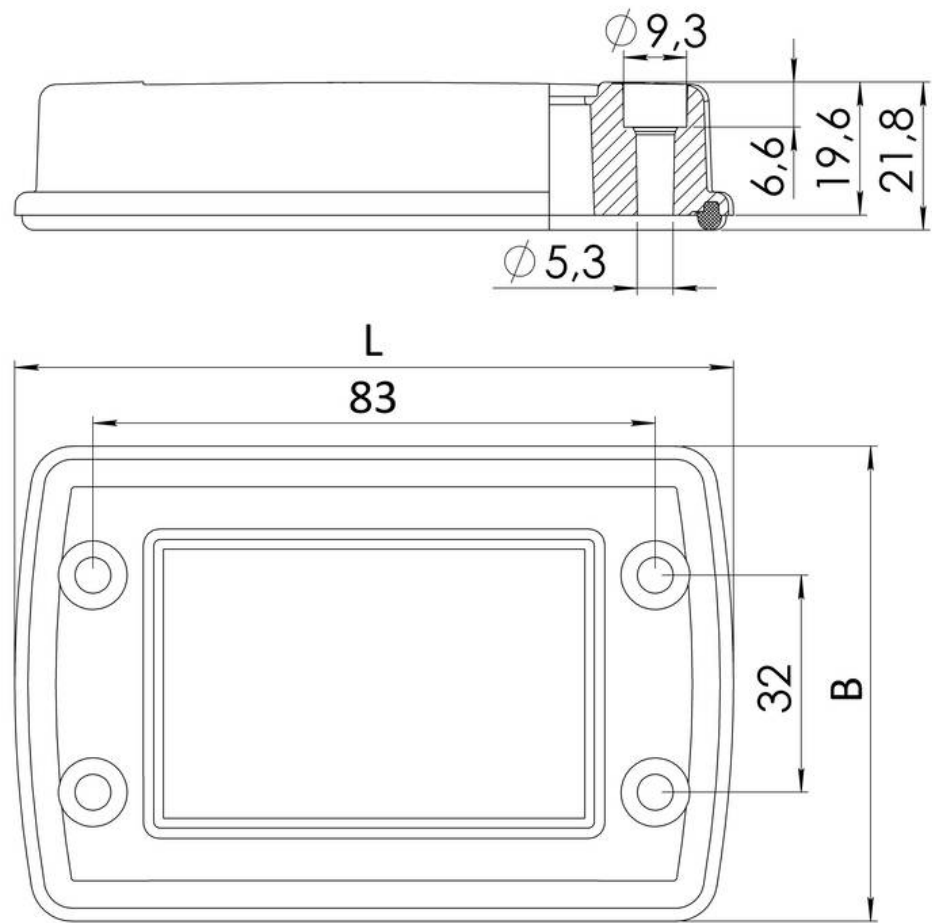
Your Contact:

WISKA Hoppmann GmbH

Kisdorfer Weg 28 · 24568 Kaltenkirchen · Germany

☎ +49-4191-508-0 · 📠 +49-4191-508-209

contact@wiska.de · www.wiska.com



Your Contact:

WISKA Hoppmann GmbH

Kisdorfer Weg 28 · 24568 Kaltenkirchen · Germany

☎ +49-4191-508-0 · 📠 +49-4191-508-209

contact@wiska.de · www.wiska.com