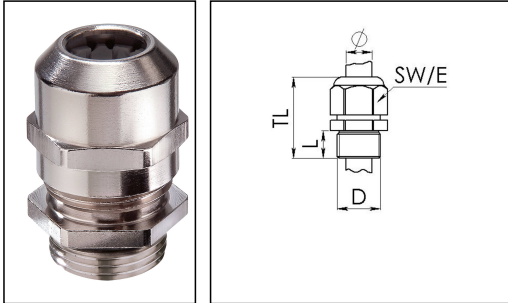


EMSKV 40

Cable gland, brass nickel-plated, M40, with short thread



Products may differ in size, colour and appearance to those shown. If you require further information or customisation, please contact us directly.



| | |
|---------------------------------|---------------------------|
| Material cable gland | Brass nickel-plated |
| Material clamping cage | Polyamide |
| Material sealing gasket | EPDM |
| Temp. range min | -40 °C |
| Temp. range max | 100 °C |
| Protection class | IP69, IP68 (5 bar 30 min) |
| Thread type | M |
| Ø Connection thread D | 40 |
| Lead | 1,5 |
| Length screw-in thread L | 8 mm |
| Ø cable diameter min | 16 mm |
| Ø cable diameter max | 28 mm |
| Ø cable diameter UL | 17,4 mm - 26,4 mm |
| Key width SW | 46 mm |
| Collar diameter (E) | 51 mm |
| Total length TL | 44 mm - 55 mm |
| Type of cable anchorage | A |
| Install. torques fitting | 20 N m |
| Install. torques cap nut | 20 N m |
| Impact category | 6 |
| Surface | Nickel-plated |
| Order no. nickel-plated | 10065005 |
| Packing unit | 10 |
| Type | EMSKV 40 |
| ETIM-Classification | EC000441 |

Your Contact:

WISKA Hoppmann GmbH

Kisdorfer Weg 28 · 24568 Kaltenkirchen · Germany

☎ +49-4191-508-0 · 📠 +49-4191-508-209

contact@wiska.de · www.wiska.com

Recommended accessories

| | |
|----------------------|----------|
| RDE 40 | 10062187 |
| EMMU 40 | 10063146 |
| BS 28 | 10064016 |
| MFD 40/08/060 | 10064346 |
| MFD 40/07/080 | 10064347 |
| MFD 40/07/070 | 10064348 |
| MFD 40/04/100 | 10101017 |
| MFD 40/09/069 | 10101427 |
| MFD 40/03/125 | 10102054 |
| MFD 40/06/065 | 10102171 |
| MFD 40/06/090 | 10102172 |

04.12.2019

Your Contact:

WISKA Hoppmann GmbH

Kisdorfer Weg 28 · 24568 Kaltenkirchen · Germany

☎ +49-4191-508-0 · 📠 +49-4191-508-209

contact@wiska.de · www.wiska.com



Your Contact:

WISKA Hoppmann GmbH

Kisdorfer Weg 28 · 24568 Kaltenkirchen · Germany

☎ +49-4191-508-0 · 📠 +49-4191-508-209

contact@wiska.de · www.wiska.com