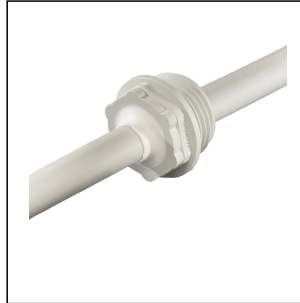
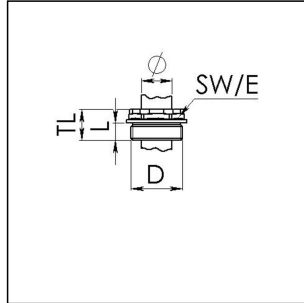


EMS 25

Membrane screw, plastic, RAL 7035, M25



Products may differ in size, colour and appearance to those shown. If you require further information or customisation, please contact us directly.



Material	Polypropylene
Material membrane	TPE
Temp. range min	-30 °C
Temp. range max	80 °C
Glow wire test	750 °C
Protection class	IP66
Thread type	M
Ø Connection thread D	25
Lead	1,5
Length screw-in thread L	9 mm
Ø cable diameter min	1 mm
Ø cable diameter max	18 mm
Key width SW	24 mm
Collar diameter (E)	29 mm
Total length TL	15 mm
Installation torques	3 N m
Product Color	RAL 7035
Order no. RAL 7035	10062569
Type	EMS 25
Packing unit	100
ETIM-Classification	EC000451

Recommended accessories

Your Contact:

WISKA Hoppmann GmbH

Kisdorfer Weg 28 · 24568 Kaltenkirchen · Germany

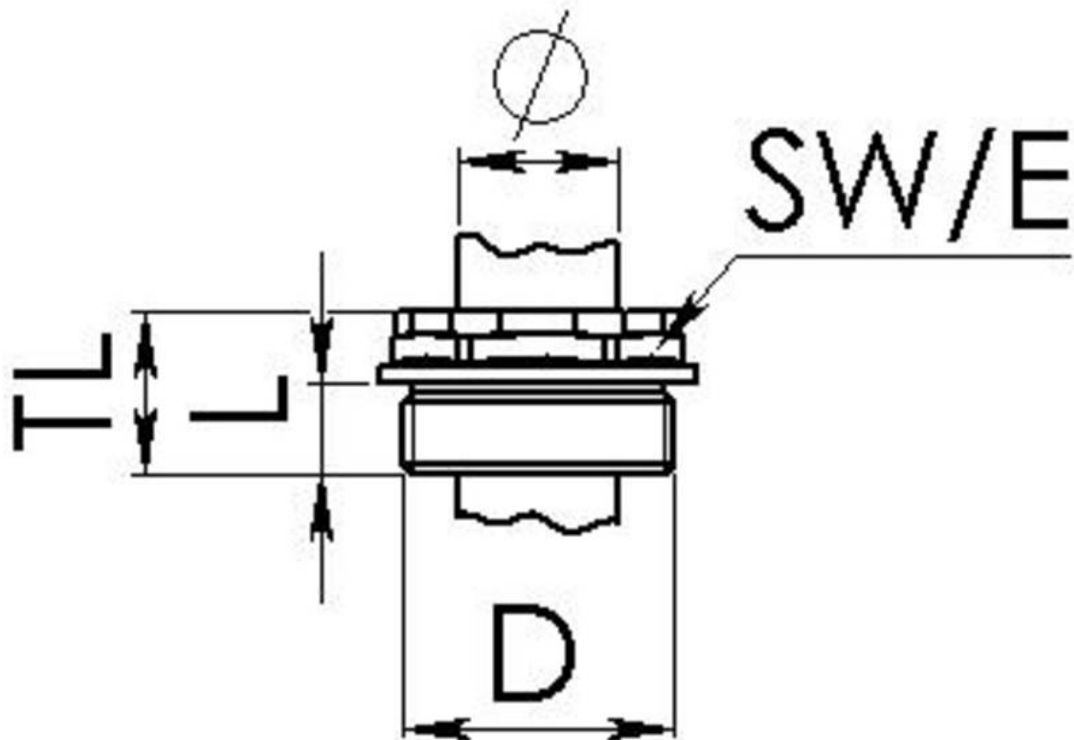
☎ +49-4191-508-0 · 📠 +49-4191-508-209

contact@wiska.de · www.wiska.com

EMUG 25	10060773
EADR 25	10062804

06.12.2019

Your Contact:
WISKA Hoppmann GmbH
Kisdorfer Weg 28 · 24568 Kaltenkirchen · Germany
 +49-4191-508-0 ·  +49-4191-508-209
contact@wiska.de · www.wiska.com



Your Contact:

WISKA Hoppmann GmbH

Kisdorfer Weg 28 · 24568 Kaltenkirchen · Germany

☎ +49-4191-508-0 · 📠 +49-4191-508-209

contact@wiska.de · www.wiska.com