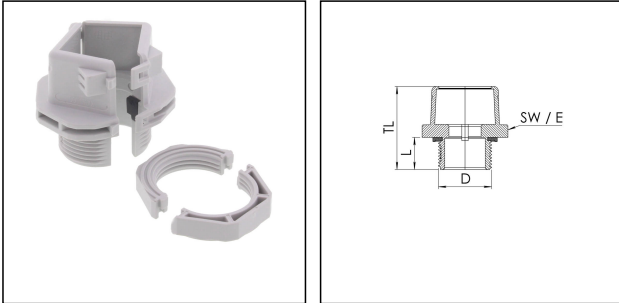


## CKM 25 V0 LG

CONMAXX divided gland with locknut, polyamide, RAL 7035, M25



Products may differ in size, colour and appearance to those shown. If you require further information or customisation, please contact us directly.

### **CONMAXX**

<b>Material cable gland</b>	polyamide UL94-V0
<b>Material sealing gasket</b>	TPE UL94-V0
<b>Protection class</b>	IP66
<b>Temp. range min</b>	-40 °C
<b>Temp. range max</b>	100 °C
<b>Thread type</b>	M
<b>Ø Connection thread D</b>	25
<b>Lead</b>	1,5
<b>Length screw-in thread L</b>	15 mm
<b>Key width SW</b>	38 mm
<b>Collar diameter (E)</b>	40 mm
<b>Total length TL</b>	39 mm
<b>Product Color</b>	RAL 7035
<b>Type</b>	CKM 25 V0 LG
<b>Order no. RAL 7035</b>	10108664
<b>Packing unit</b>	1
<b>ETIM-Classification</b>	EC000441

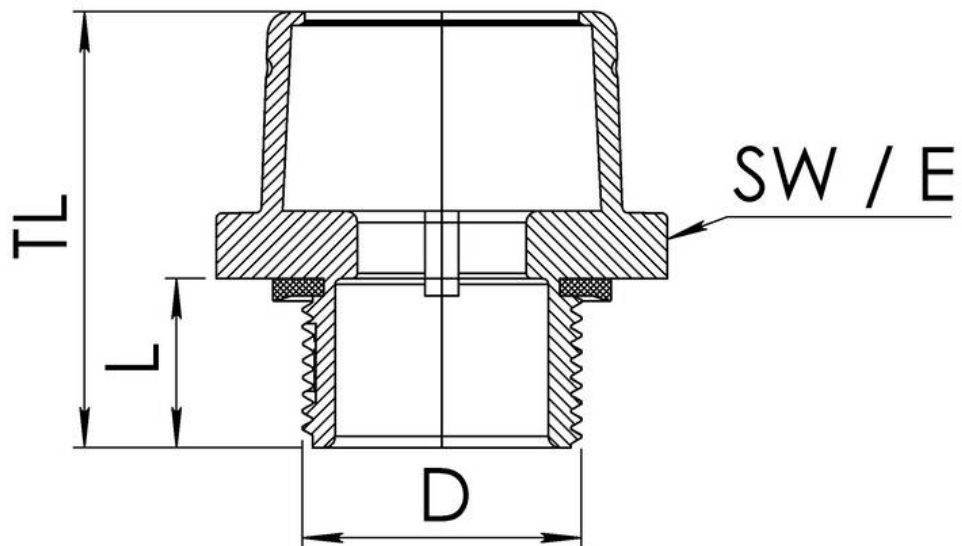
Remarks:

- inclusive divided locknut
- suitable sealing inserts: CDKG

02.12.2019

Your Contact:

**WISKA Hoppmann GmbH**  
Kisdorfer Weg 28 · 24568 Kaltenkirchen · Germany  
☎ +49-4191-508-0 · 📠 +49-4191-508-209  
contact@wiska.de · www.wiska.com



Your Contact:

**WISKA Hoppmann GmbH**

Kisdorfer Weg 28 · 24568 Kaltenkirchen · Germany

☎ +49-4191-508-0 · 📠 +49-4191-508-209

contact@wiska.de · www.wiska.com